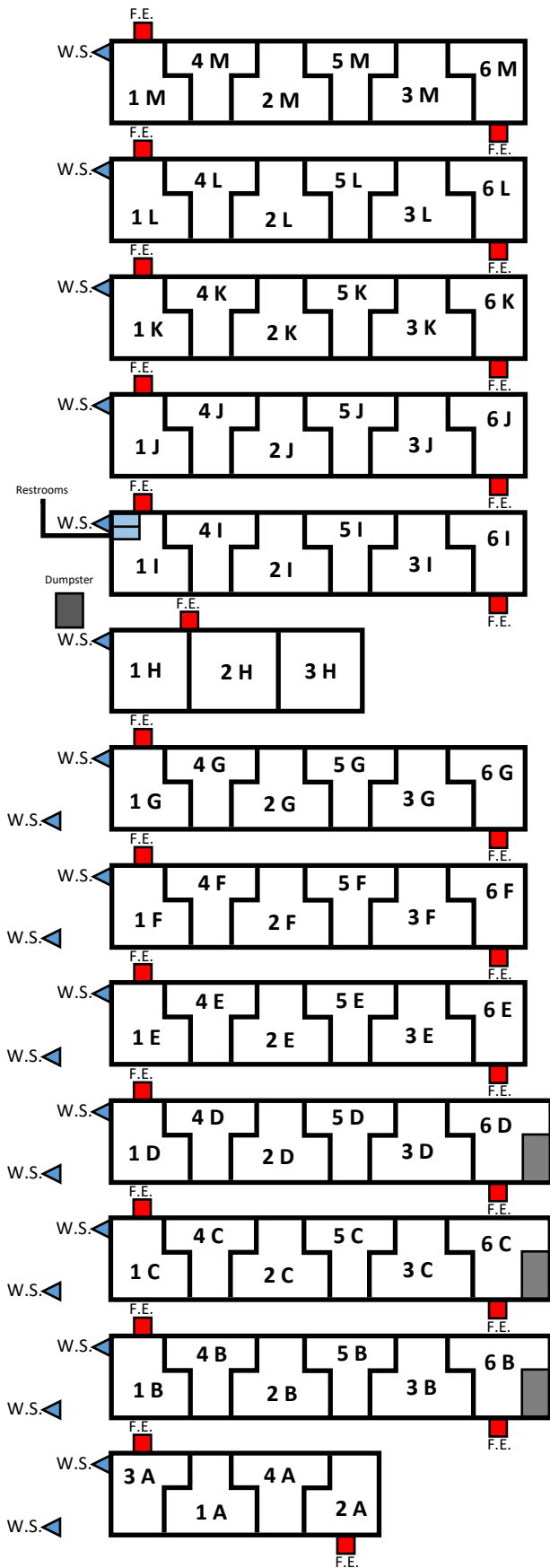


Airport Road



Peter Prince Airport

Number/types of hangars	Area (sq ft)	Dimensions of hangars	Shape	Current rate per month (does not include sales tax)
Light twin tee	48	1,143.8	43'8" x 17' + 22'4" x 18'	\$175.00
Light twin end	18	1,333.8	33'3" x 35' + 10' x 17'	\$190.00
Cabin twin tee	2	1,445	47'9" x 20' + 24'6" x 20'	\$200.00
Cabin twin end	2	1,692	36'4" x 40' + 12' x 20'	\$215.00
Box corporate	2	2,565	57' x 45'	\$550.00
Box corporate	1	2,970	66' x 45'	\$800.00
Tee BB-Hangar	3	1,702	49' x 23' + 25' x 23'	\$250.00
Tee CC-FF Hangar	24	1,008	40' x 19'20" + 20' x 12'	\$225.00
Tee AAA-DDD Hangar	38	1,773	47' x 25'8" + 26'4" x 23'	\$250.00

Hangar Door Openings

Hangars 1A - 4A:	45' 1" W x 13' 11.5" H
Hangars B - G:	40' W x 11.6' H
Hangars 1H - 3H:	48' W x 16' H
Hangars I - M:	40' W x 11.6' H
Hangar BB:	46.5' W x 14.6' H
Hangars CC - FF:	41' W x 12' H
Hangars AAA - DDD:	47' W x 14' H

Storage Units

B - D Units:	187 sq ft	\$15.00
BB Units:	12' x 23'	\$15.00
CC - FF Units:	10' 6" x 12'	\$15.00
AAA	264 sq ft	\$15.00
BBB 1-5 both Units:	264 sq ft	\$15.00
BBB 6-9 West 1-5	594 sq ft	\$15.00
total of all 5 Units:		
CCC	264 sq ft	\$15.00
DDD	00' x 00'	\$15.00

Note: This layout is not to scale.

W.S = Water Spigot

F.E. = Fire Extinguisher

Airport Road

